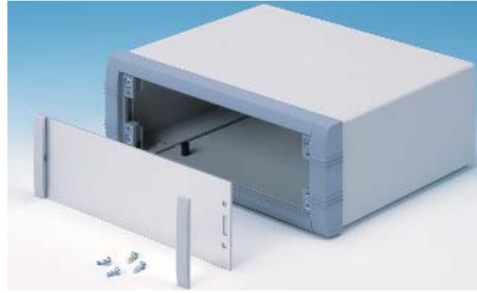
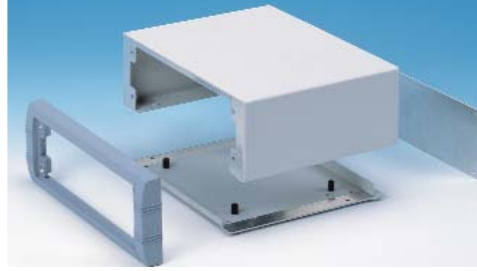


Unimet



Unimet Desk Cases

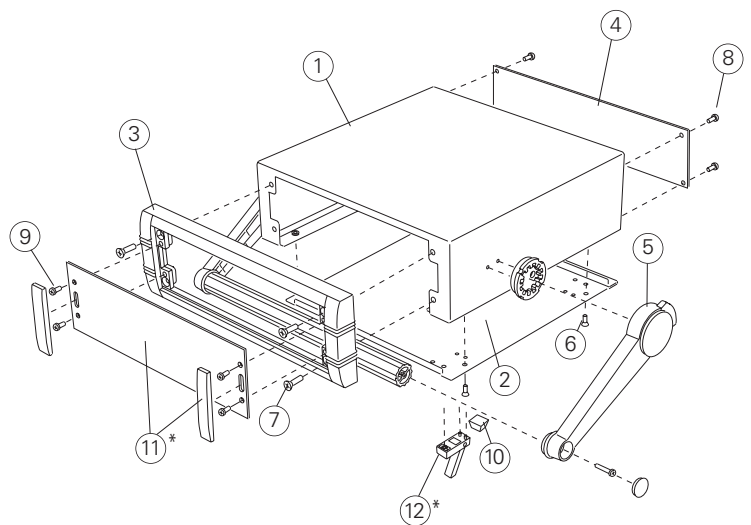
Modern instrument cases for desktop or portable applications. With or without a tilt/swivel carry handle bar. Folded aluminium case body with die-cast front bezel. Base and rear panels are removable. Front panel kit ordered separately.

Unimet Tischgehäuse

Modernes Instrumentengehäuse für Tischanwendungen oder mobilen Einsatz. Mit oder ohne Aufstell-/Tragebügel. Oberteil gekantet aus Aluminium mit Druckguss-Frontrahmen. Boden- und Rückplatten sind abnehmbar. Frontplatten-Set als Zubehör.

Boîtier de table Unimet

Boîtier moderne pour instruments utilisable pour les applications de table ou portables. Avec ou sans poignée étrier/poignée de transport. Partie supérieure au bord replié, en aluminium avec cadre frontal moulé sous pression. Les plaques inférieures et arrière sont amovibles. Kit de plaque avant en accessoire.



Supply

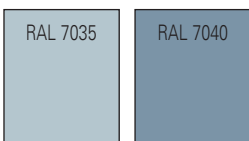
- ① Top cover
- ② Base panel
- ③ Front bezel
- ④ Rear panel
- ⑤ Carry handle bar
- ⑥ M3 x 8 mm (x4)
- ⑦ M4 x 16 mm (x2/4)
- ⑧ M3 x 8 mm (x4)
- ⑨ M3 x 8 mm (x4)
- ⑩ Rubber foot (x4)
- ⑪ * Front panel kit
- ⑫ * ABS feet
- * Accessories

Lieferumfang

- Deckplatte
- Bodenplatte
- Frontrahmen
- Rückplatte
- Aufstell-/Tragebügel
- M3 x 8 mm (x4)
- M4 x 16 mm (x2/4)
- M3 x 8 mm (x4)
- M3 x 8 mm (x4)
- Gummifuß (x4)
- * Frontplatten-Set
- * Gehäusefüße (ABS)
- * Zubehör

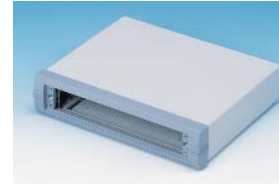
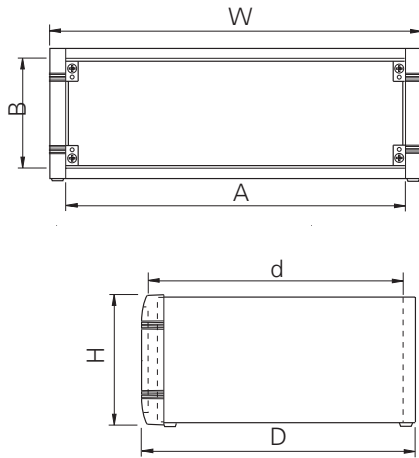
Fourniture

- Partie supérieure
- Plaque inférieure
- Cadre frontal
- Plaque arrière
- Poignée étrier/poignée de transport
- M3 x 8 mm (x4)
- M4 x 16 mm (x2/4)
- M3 x 8 mm (x4)
- M3 x 8 mm (x4)
- Pied de boîtier (x4)
- * Kit de plaque avant
- * Pieds du boîtier (ABS)
- * Accessoires

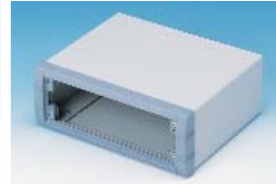


Standard colours
Standardfarben
Coloris standard

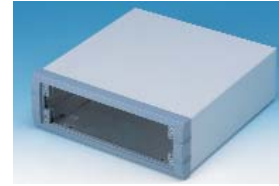
Unimet



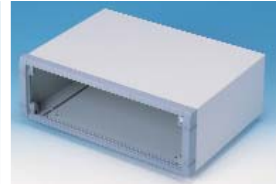
Version 1



Version 2



Version 3



Version 4



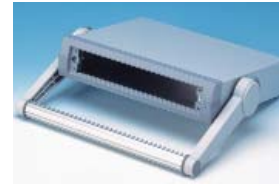
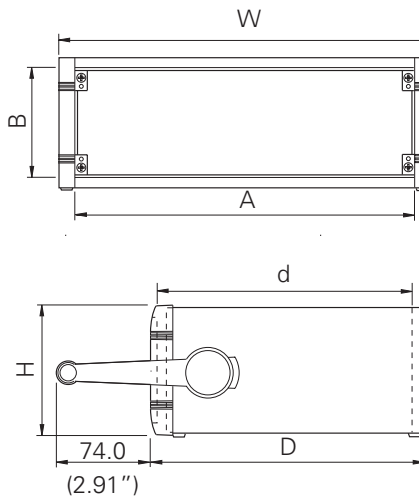
Version 5



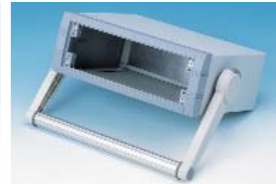
Version 6

| Part No. Bestell-Nr./Réf. | Version | H | W | D | d | A | B |
|------------------------------|---------|-------------|--------------|--------------|---------------|----------------|---------------|
| M 56 23 005 | 1 | 50 (1.96") | 230 (9.05") | 190 (7.48") | 171.8 (6.76") | 200.7 (7.90") | 34.0 (1.34") |
| M 56 23 105 | 2 | 85 (3.34") | 230 (9.05") | 190 (7.48") | 172.2 (6.77") | 200.7 (7.90") | 65.8 (2.59") |
| M 56 25 105 | 3 | 85 (3.34") | 250 (9.84") | 260 (10.23") | 242.2 (9.53") | 220.7 (8.68") | 65.8 (2.59") |
| M 56 35 205 | 4 | 120 (4.72") | 350 (13.77") | 260 (10.23") | 242.2 (9.53") | 320.7 (12.62") | 101.0 (3.97") |
| M 56 25 305 | 5 | 150 (5.90") | 250 (9.84") | 260 (10.23") | 242.2 (9.53") | 220.7 (8.68") | 130.8 (5.15") |
| M 56 35 305 | 6 | 150 (5.90") | 350 (13.77") | 260 (10.23") | 242.2 (9.53") | 320.7 (12.62") | 130.8 (5.15") |

Unimet H



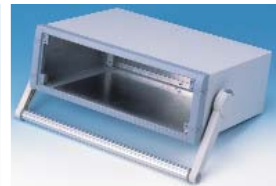
Version 1H



Version 2H



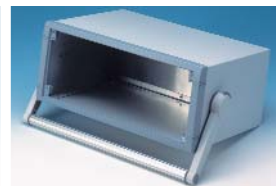
Version 3H



Version 4H

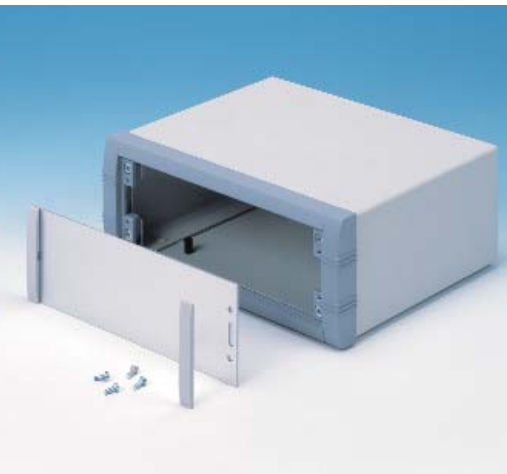


Version 5H



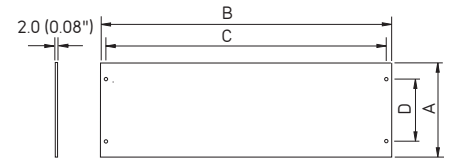
Version 6H

| Part No. Bestell-Nr./Réf. | Version | H | W | D | d | A | B |
|------------------------------|---------|-------------|--------------|--------------|---------------|----------------|---------------|
| M 56 23 025 | 1H | 50 (1.96") | 230 (9.05") | 190 (7.48") | 171.8 (6.76") | 200.7 (7.90") | 34.0 (1.34") |
| M 56 23 125 | 2H | 85 (3.34") | 230 (9.05") | 190 (7.48") | 172.2 (6.77") | 200.7 (7.90") | 65.8 (2.59") |
| M 56 25 125 | 3H | 85 (3.34") | 250 (9.84") | 260 (10.23") | 242.2 (9.53") | 220.7 (8.68") | 65.8 (2.59") |
| M 56 35 225 | 4H | 120 (4.72") | 350 (13.77") | 260 (10.23") | 242.2 (9.53") | 320.7 (12.62") | 101.0 (3.97") |
| M 56 25 325 | 5H | 150 (5.90") | 250 (9.84") | 260 (10.23") | 242.2 (9.53") | 220.7 (8.68") | 130.8 (5.15") |
| M 56 35 325 | 6H | 150 (5.90") | 350 (13.77") | 260 (10.23") | 242.2 (9.53") | 320.7 (12.62") | 130.8 (5.15") |



Front Panel Kit

Frontplatten-Set
Kit de Plaque Avant

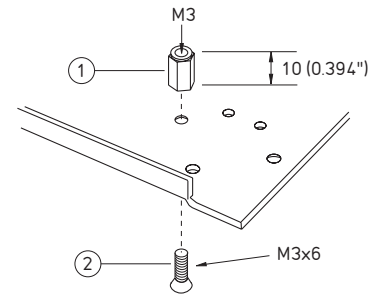


| Part No. Bestell-Nr./Réf. | Version | A | B | C | D |
|------------------------------|---------|---------------|----------------|--------------|--------------|
| M 57 00 607 | 1/1H | 33.6 (1.32") | 199.5 (7.85") | 188 (7.40") | 22.3 (0.87") |
| M 57 00 608 | 2/2H | 65.1 (2.56") | 199.5 (7.85") | 188 (7.40") | 30.8 (1.21") |
| M 57 00 613 | 3/3H | 65.1 (2.56") | 219.5 (8.64") | 208 (8.18") | 30.8 (1.21") |
| M 57 00 620 | 4/4H | 100.1 (3.94") | 319.5 (12.57") | 308 (12.12") | 65.8 (2.59") |
| M 57 00 616 | 5/5H | 130.1 (5.12") | 219.5 (8.64") | 208 (8.18") | 95.8 (3.77") |
| M 57 00 621 | 6/6H | 130.1 (5.12") | 319.5 (12.57") | 308 (12.12") | 95.8 (3.77") |



PCB Mounting Kit

Leiterkarten Montage-Set
Jeu Pour Montage Des Circuits Imprimés

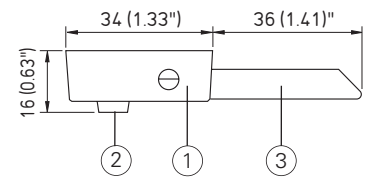


| Part No. Bestell-Nr./Réf. | Article Artikel |
|------------------------------|--------------------|
| M 56 00 001 | ① + ② x 10 |



ABS Case Feet

Gehäusefüße (ABS)
Pieds du Boîtier (ABS)



| Part No. Bestell-Nr./Réf. | Article |
|------------------------------|-------------------|
| M 56 00 015 | ① + ② x 4 |
| M 56 00 045 | ① + ② x 4 + ③ x 2 |